

# Cavity Plugs

## STANDARD CAVITY PLUGS

Standard HydraForce cavity plugs seal all access to a cavity.

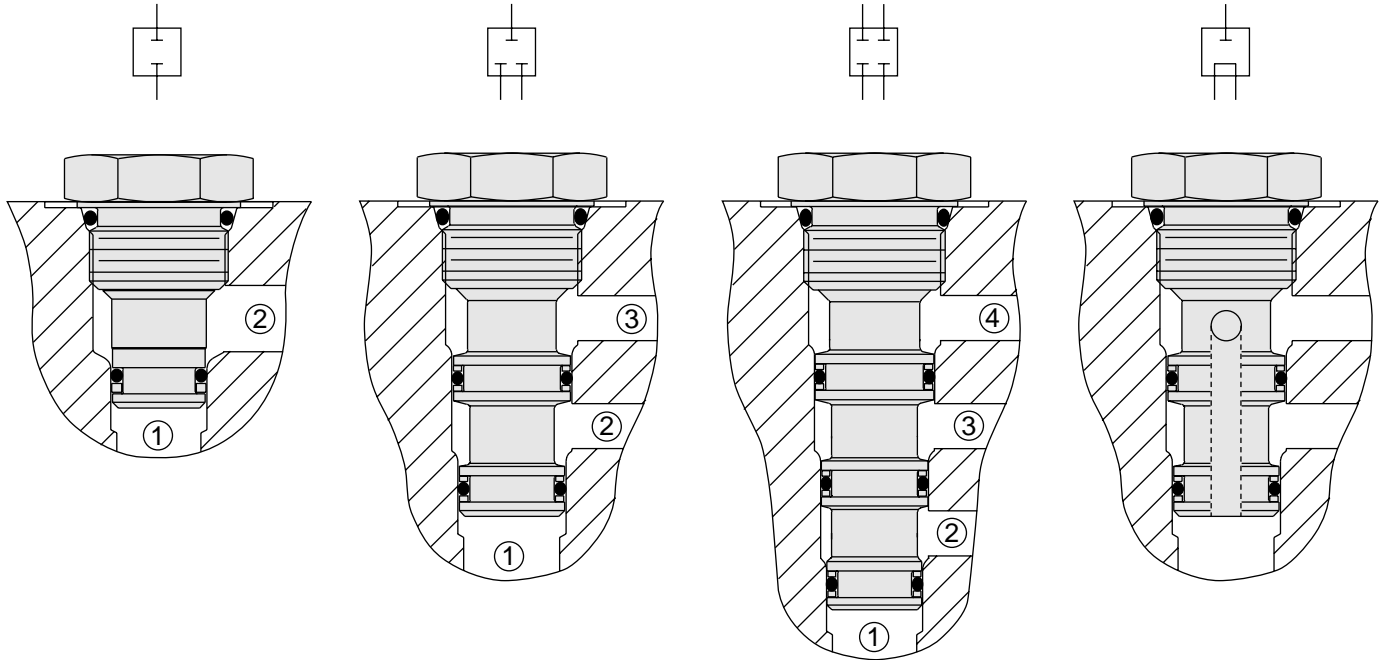
### 2-Way Cavity CPXX-20-X

### 3-Way Cavity CPXX-30-X

### 4-Way Cavity CPXX-40-X

## OPTIONAL PLUGS

Special-purpose plugs are available; See Ordering Table.



## ORDERING INFORMATION

<b>CP</b>		<b>Seals</b>	
<b>Cavity Thread Size</b>		<b>N</b>	Buna N (Std.)
3/4—16	<b>08</b>	<b>V</b>	Fluorocarbon
7/8—14	<b>10</b>	<b>P</b>	Polyurethane
1-1/16—12	<b>12</b>		
1-5/16—12	<b>16</b>		
1-5/8—12	<b>20</b>		
M42 x 2	<b>42</b>		

<b>Cavity Type</b>	
Two-Way	<b>2</b>
Three-Way	<b>3</b>
Three-Way Short	<b>S3</b>
Four-Way	<b>4</b>
**Five-Way	<b>5</b>
**Six-Way	<b>6</b>
** Consult factory	

### Design Type (X = Blocked; O = Open)

	2-Ways		3-Ways			4-Ways			
	1	2	1	2	3	1	2	3	4
<b>0</b>	x	x	x	x	x	x	x	x	x
<b>A</b>			o	o	x	o	o	o	x
<b>B</b>			o	x	o	o	o	x	o
<b>C</b>			x	o	o	o	x	o	o
<b>D</b>						x	o	o	o
<b>E</b>						o	o	x	x
<b>F</b>						o	x	o	x
<b>G</b>						x	o	o	x
<b>H</b>						o	x	x	o
<b>I</b>						x	o	x	o
<b>J</b>						x	x	o	o
<b>K</b>	o	o							
<b>L*</b>						o	o	o	o

\* Open 1 to 2; Open 3 to 4